

VALVES FLANGED BUTTERFLY PNEUMATIC PACKAGE

MODEL: 1303-BV-CPAP

Revision: 0

BULLETIN
1303

DESCRIPTION

The BV-CPAP pneumatic operated butterfly valves are used for modulating air and gas flows for most types of combustion systems. The flanged construction eliminates the need for pipe unions. A unique "O"-Ring seal prevents leakage around the shaft.

The valve crank rotates through an 80° arc. Disc position is indicated by the crank arm pointer relative to the valve nameplate scale. The mounting bracket is pre-drilled for a Pyronics PA-6 pneumatic actuator (see Bulletin 1701).

The BV-CPAP includes the butterfly valve, motor mounting brackets, valve crank arm, and an adjustable linkage rod.



CAPACITY TABLE

Model Number	Pipe Size NPT (in.)	SCFH Air Wide Open Capacity at 1" W.C. Pressure Drop
6BV-CPAP	3/4	900
8BV-CPAP	1	1,100
10BV-CPAP	1-1/4	2,500
12BV-CPAP	1-1/2	2,800
16BV-CPAP	2	5,200
20BV-CPAP	2-1/2	8,600
24BV-CPAP	3	13,100
32BV-CPAP	4	25,000
48BV-CPAP	6	55,000

FEATURES

- Economical automatic flow control valve
- For most fuel gases and air
- Double bearing shaft - positive alignment
- "O"-Ring sealed shaft
- Disc position indicator
- Cast iron body and steel disc
- Lubricated swivel joints
- Easily adjustable
- 1/8" NPT tap for pressure

CAUTION: Operation of combustion equipment can be hazardous resulting in bodily injury or equipment damage. Each burner should be supervised by a combustion safeguard and only qualified personnel should install, make system adjustments and perform any required service.



PYRONICS

A Selas Heat Technology Brand

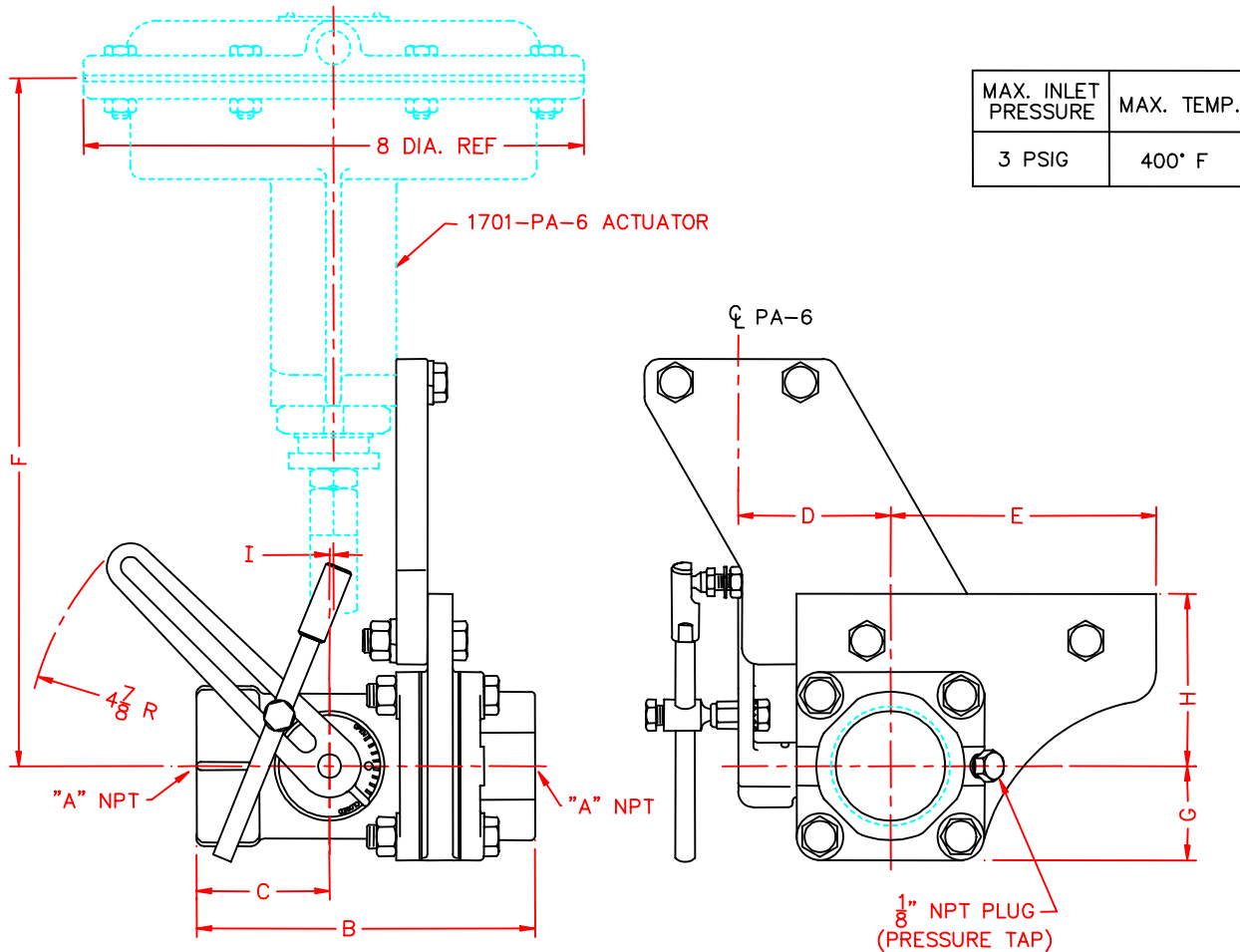
11012 Aurora Hudson Road Toll Free: 800-883-9218
 Streetsboro, OH 44241 Main: 216-662-8800
 Email: sales@selas.com Fax: 216-663-8954

NOTICE: PYRONICS practices a policy of continuous improvement in the design of its products. It reserves the right to change the specifications at any time without prior notice.

VALVES FLANGED BUTTERFLY PNEUMATIC PACKAGE

BULLETIN 1303
PAGE NO. 2

DIMENSIONS



Note : 48BV-CPAP is flanged on both sides

Model Number	A	B	C	D	E	F	G	H	I	Weight	
										Lbs.	Kgs.
6BV-CPAP	3/4	4-7/8	2	2-1/4	4-7/16	10-5/8	1-3/16	2-7/16	0	7.8	3.5
8BV-CPAP	1	4-7/8	2	2-1/4	4-7/16	10-5/8	1-3/16	2-7/16	0	7.8	3.5
10BV-CPAP	1-1/4	5-1/2	2-1/8	2-7/16	4-1/4	11	1-1/2	2-3/4	1/16	9.8	4.4
12BV-CPAP	1-1/2	5-1/2	2-1/8	2-7/16	4-1/4	11	1-1/2	2-3/4	1/16	9.8	4.4
16BV-CPAP	2	5-3/4	2-3/8	2-11/16	4	11-1/4	1-3/4	3	1/16	12.3	5.6
20BV-CPAP	2-1/2	6-1/4	2-5/8	2-15/16	3-3/4	11-1/2	2	3-1/4	3/16	14.9	6.7
24BV-CPAP	3	6-5/8	2-3/4	3-1/4	3-7/16	11-3/4	2-3/16	3-7/16	1/4	15.5	7.0
32BV-CPAP	4	7	3-1/8	3-3/4	3	12-1/2	3	4-1/4	3/8	18.0	8.1
48BV-CPAP	6	10-1/2	5	5-1/8	4-3/8	13-1/2	4	5-1/4	1-3/4	37.0	16.7

NOTE: All dimensions are in inches.

ORDERING INFORMATION

1. Specify Model Number and Quantity
2. Specify Model Number of Pneumatic Actuator (if required)
3. Shipping Instructions